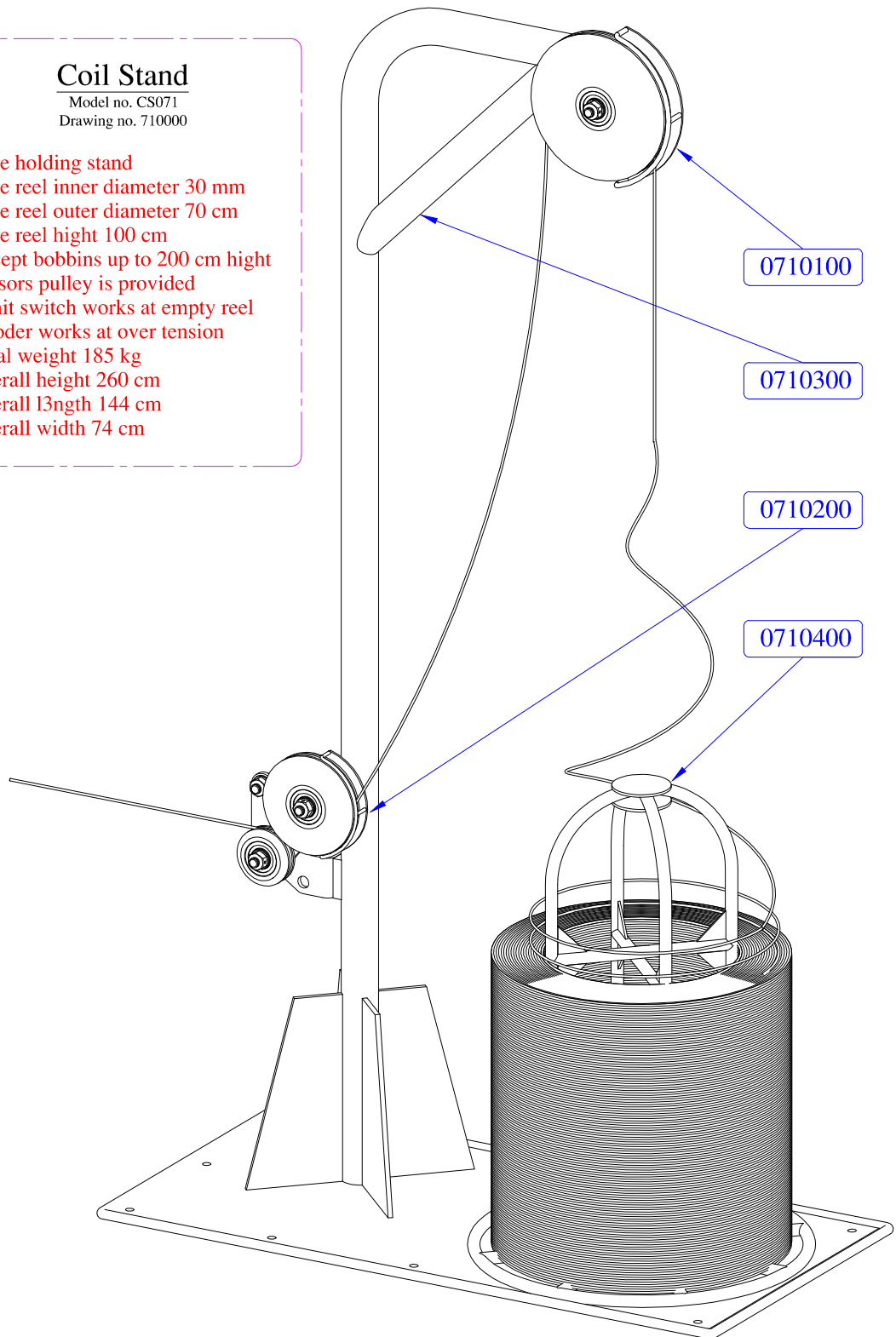



Coil Stand

Model no. CS071
Drawing no. 710000

- Wire holding stand
- Wire reel inner diameter 30 mm
- Wire reel outer diameter 70 cm
- Wire reel height 100 cm
- Accept bobbins up to 200 cm high
- Sensors pulley is provided
- Limit switch works at empty reel
- Incoder works at over tension
- Total weight 185 kg
- Overall height 260 cm
- Overall length 144 cm
- Overall width 74 cm



Item	Dwg. No.	Description	Quantity	Material	Unit weight
			1		
		<p>CADsoul</p> <p>Web Site : www.cadsoul.com E-Mail: cadsoul@cadsoul.com</p>	<p><u>Drawing discription:</u> Client name: RAMZI A.DAYYAK</p> <p>Wire stand specifications</p>		<p>Designed by:</p> <p>Checked by: Taha Fathy</p> <p>Approved by:</p>
		<u>Drawing No.:</u>	0710001	<u>Edition</u>	01
			<u>Sheet</u>	2 / 41	<u>Scale</u>
				:	<u>Date</u>
					27/7/2010